

RAZER-TSV35

The RaZer TSV28 chamber machine is an economical entry-level model with compact dimensions. It features a pump with an output of 20 m³/h.

CHAMBER LID

RaZer TSV28 have a chamber lid with a viewing window that permits one to view the packaging procedure. have a chamber lid with a viewing window that permits one to view the packaging procedure.

STAINLESS STEEL

Non-rusting stainless steel chamber housing

OIL LEVEL WINDOW

Easy to service: Simple to access serviceable components for routine maintenance

SIMPLE TO CLEAN

Hygienic design with removable seal bar and filler plates; no corners, edges or areas for contaminants to collect



TECHNICAL SPECIFICATIONS :

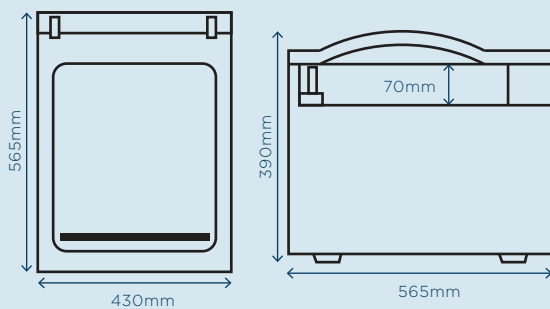
- Brand : Quiware
- Series : RaZer
- Model : TSV35
- Machine Dimensions* : 430 x 565 x 390
- Chamber Dimensions* : 370 x 450 x 70
- Sealing Bar Arrangement : 1 x 350mm
- Pump Output in m³/h : 20
- Standard Voltage : 240V - 50Hz
- Machine Cycle : 20-40sec
- Power Consumption(kw) : 0.75
- Net Weight : N/A
- Machine Type : Tabletop Chamber
- Gas Flush : N/A
- Maximum Bag/Pouch Size : 280 x 400
- Conditions : New
- Plug : Malaysia Standard 3pin

*(WxDxH) in mm

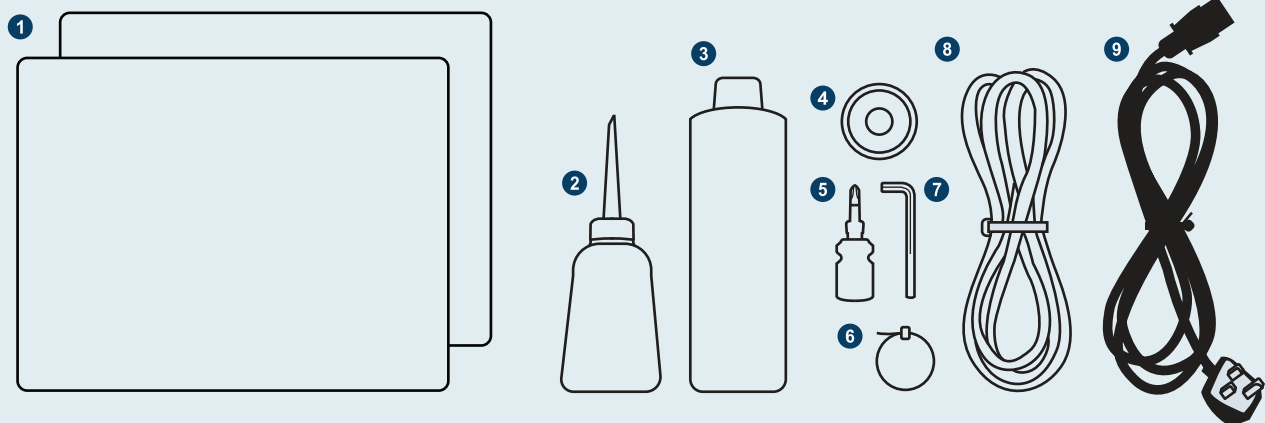
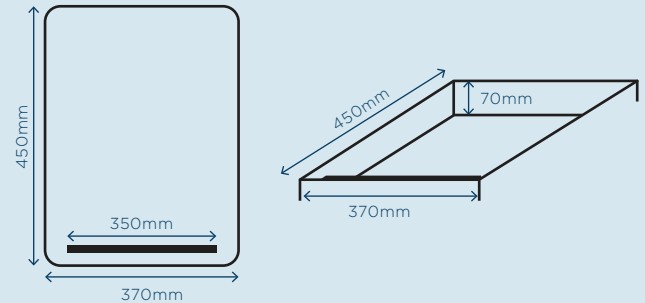
FEATURES :

- Standard with 1 seal bar (front) : 1 x 350mm
- Deep drawn stainless steel vacuum chamber
- Pump Capacity : 10 m³/h vacuum pump
- Machine Cycle : 20-40 sec
- Digital control with time control and a three program memory
- Stainless steel exterior and transparent lid
- Function for Vacuum quick-stop
- Simple Cleaning - Reliable hygiene
- Better packaging with QUIWARE®
- Seal Bars easily removable for cleaning and maintenance purposes

MACHINE DIMENSION



CHAMBER SIZE



1. Filler Board x2
2. Empty Bottle
3. Vacuum Pump oil

4. Teflon Tape
5. Mini duo Screw Driver
6. NITChrome

7. L-Key (Small)
8. Silicone Rubber
9. Wire Cord