

## RAZER-TDV40

### THE RAZER TDV40 CHAMBER VACUUM SEALER

offers flexibility and reliability and able to meet the demands of medium to high volume commercial and food operations. This model features 2 seal bars, which will help increase production and speed up operations.

#### CHAMBER LID

RaZer TDV40 have a chamber lid with a viewing window that permits one to view the packaging procedure. have a chamber lid with a viewing window that permits one to view the packaging procedure.

#### STAINLESS STEEL

Non-rusting stainless steel chamber housing

#### OIL LEVEL WINDOW

Easy to service: Simple to access serviceable components for routine maintenance

#### SIMPLE TO CLEAN

Hygienic design with removable seal bar and filler plates; no corners, edges or areas for contaminants to collect



## TECHNICAL SPECIFICATIONS :

- Brand : Quiware
- Series : RaZer
- Model : TDV40
- Machine Dimensions\* : 480 x 555 x 420
- Chamber Dimensions\* : 415 x 435 x 65
- Sealing Bar Arrangement : 2 x 400mm
- Pump Output in m<sup>3</sup>/h : 20
- Standard Voltage : 240V - 50Hz

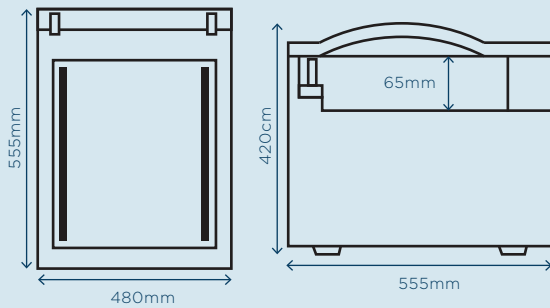
\*( WxDxH ) in mm

- Machine Cycle : 20-30sec
- Power Consumption(kw) : 0.75
- Net Weight : 55kg
- Machine Type : Tabletop Chamber
- Gas Flush : N/A
- Maximum Bag/Pouch Size : 410 x 400
- Conditions : New
- Plug : Malaysia Standard 3pin

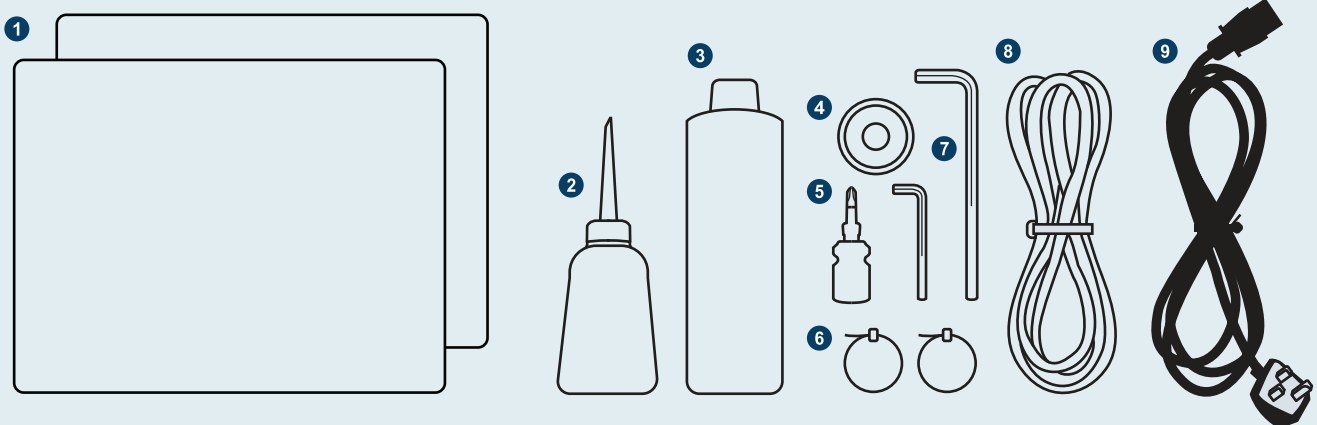
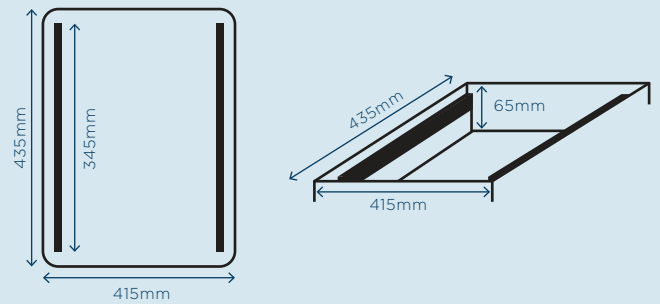
## FEATURES :

- Standard with 2 seal bar ( Left/Right ) : 2 x 400mm
- Seal bars easily removable for cleaning & maintenance purposes
- Pump Capacity : 20 m<sup>3</sup>/h vacuum pump
- Machine Cycle : 20-30 sec
- Stainless steel exterior and transparent lid
- Function for Vacuum quick-stop
- Simple Cleaning - Reliable hygiene
- Better packaging with QUIWARE®
- Digital control with time control and a three program memory

### MACHINE DIMENSION



### CHAMBER SIZE



1. Filler Board x2
2. Empty Bottle
3. Vacuum Pump oil

4. Teflon Tape
5. Mini duo Screw Driver
6. NITChrome x2

7. L-Key x2 ( Small & Big )
8. Silicone Rubber
9. Wire Cord